

Please note that the data given here has been taken from the online catalog. For comprehensive information and data, please refer to the user documentation at <http://www.download.phoenixcontact.com>. The General Terms and Conditions of Use apply to Internet downloads.

▶ Extract from the online catalog



2-channel downtime monitor, 2 N/O contacts for SIL 3 in acc. with IEC 61508, control with two standard sensors, pluggable screw connection terminal blocks, 22.5 mm wide

Order No.	2981567
Ord designation	PSR-SCP- 24DC/SSM/2X1
EAN	4017918996857
Pack	1 Pcs.
Customs tariff	85364900
Catalog page information	Page 169 (NTK-2005)

▶ Technical data

Input data

Nominal input voltage U_N	24 V DC
Input voltage range in reference to U_N	0.85 ... 1.1
Typical input current at U_N	60 mA
Voltage at input/start and feedback circuit	24 V DC
Typical response time	12 ms
Typical release time	8 ms
Recovery time	1 s

Output data

Contact type	2 enabling current paths, 2 signaling current paths
Contact material	Silver nickel 10 (AgNi10) 5 µm gold flashed
Maximum switching voltage	250 V AC/DC
Minimum switching voltage	10 V AC/DC
Limiting continuous current	5 A (Total current on request)
Maximum inrush current	5 A
Min. switching current	10 mA
Power rating (ohmic load) max.	(on request)
Maximum power rating (inductive load)	(on request)

General data

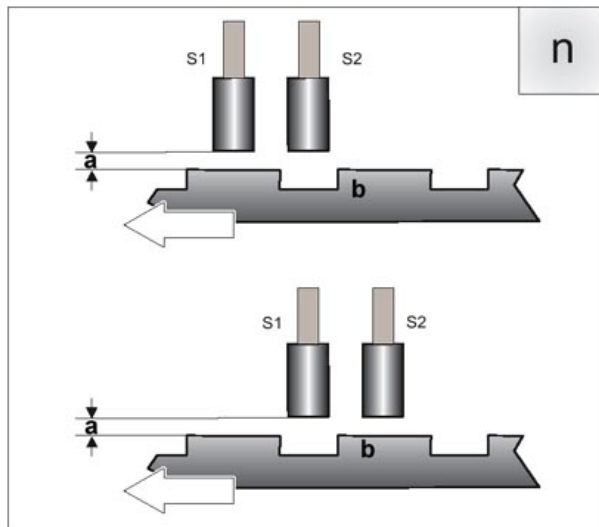
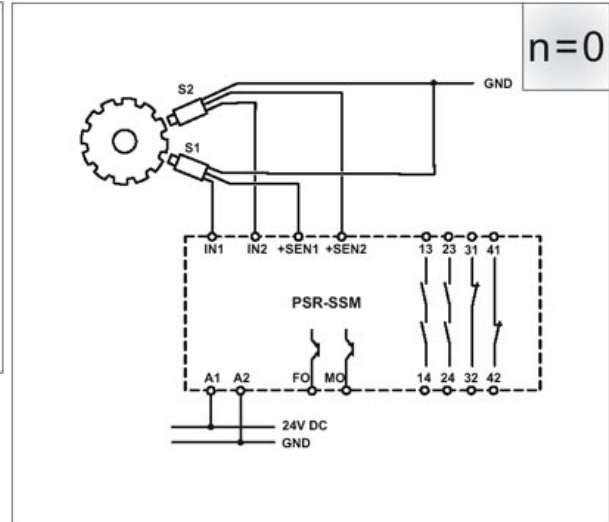
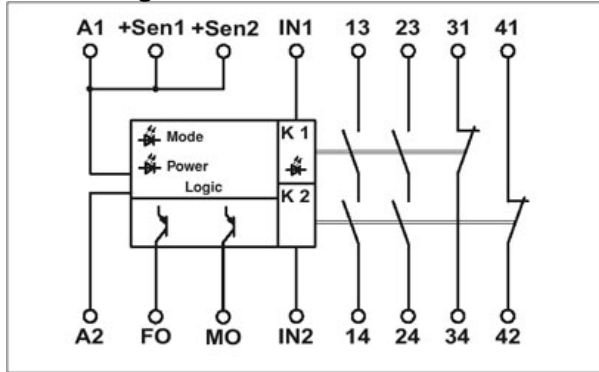
Length	99 mm
Width	22.5 mm
Height	114.5 mm
Ambient temperature (operation)	-20 ° C ... 55 ° C
Service life mechanical	50 x 10 ⁶ cycles
Standards/regulations	DIN EN 50178 / VDE 0160
Standards/regulations	Basic isolation, safe isolation, increased isolation and 6 kV between input circuit and output contact current paths
Contamination class	2
Surge voltage category	III
Installation position	Any

Connection data

Conductor cross section, rigid min.	0.2 mm ²
Conductor cross section, rigid max.	2.5 mm ²
Conductor cross section flexible min.	0.2 mm ²
Conductor cross section, flexible max.	2.5 mm ²
Conductor cross section AWG/kcmil min.	24
Conductor cross section AWG/kcmil max	12
Stripping length	10 mm
Type of connection	Screw connection

► Drawings

Circuit diagram



► Address

PHOENIX CONTACT GmbH & Co. KG
Flachsmarktstr. 8
32825 Blomberg
Germany
Phone +49 5235 3 00
Fax +49 5235 3 41200
<http://www.phoenixcontact.com>
Phoenix Contact
Technical modifications reserved;